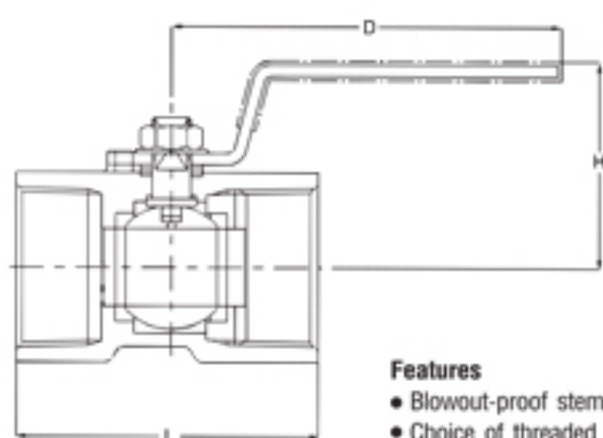


## Reduce port, Uni-body design, Threaded ends

Fig. UTKM



Class 600



**Features**

- Blowout-proof stem
- Choice of threaded ends:
  - Rc threads to BS 21 (Fig. UTKM)

**Standard materials**

Parts	Materials
Body	CF8M
Ball	316
Stem	316
	Glass filled PTFE or HYPATITE® PTFE*
Gland packing	Reinforced PTFE
Handle	Plastic covered S.S.

\* HYPATITE® PTFE for Type 1000  
End-to-end dimensions: KITZ standard.

**Valve operator**  
Lever operation  
T-type handle as option

**Test pressure**

Shell (Hydrostatic): Type 600: 6.20MPa (900psi)  
Type 1000: 10.34MPa (1500psi)  
Seat (Air) : 0.55MPa (80psi)

**Dimensions**

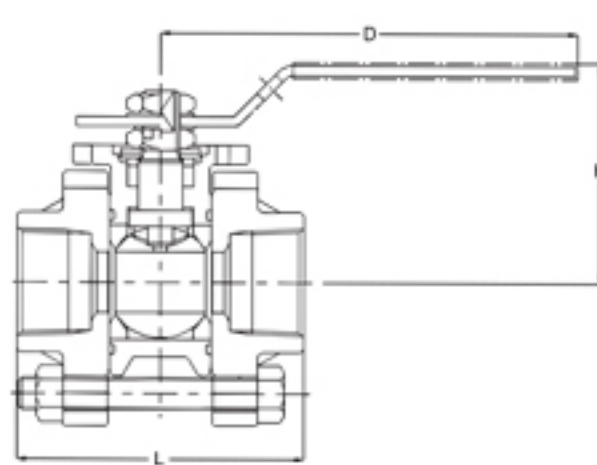
size	inch	mm							
	mm	1/4	3/8	1/2	3/4	1	1 1/4	1 1/2	2
Ball Bore	8	4.5	6.8	9.2	12.5	16	20	24.5	32
L		39	44	56.5	59	71	78	83	100
H		31	36	41	44	48	54	65	75
D		60	70	85	85	100	100	125	125

## Regular port, 3-pce body design, Threaded or socket welding ends

Fig. U3TZM



Class 1000



**Features**

- Blowout-proof stem
- Swing-away body for maintenance ease
- Choice of threaded ends:
  - Rc threads to BS 21 (Fig. U3TZM)

**Test pressure**

Shell (Hydrostatic): 10.34MPa (1500psi)  
Seat (Air) : 0.55MPa (80psi)

**Standard materials**

Parts	Materials
Body	CF8M
Body cap	CF8M
Ball	316 or CF8M
Stem	316
Seat	HYPATITE® PTFE
Gland packing	PTFE
Gasket	PTFE
Handle	Plastic covered S.S.

End-to-end dimensions: KITZ standard.

**Valve operator**  
Lever operation  
Oval handle as option

**Dimensions**

size	inch	mm				
	mm	1/2	3/4	1	1 1/2	2
Ball Bore	15	10	14	19	30	38
L		63	71	90	110	127
H		48	60	69	82	102
D		120	130	130	150	180

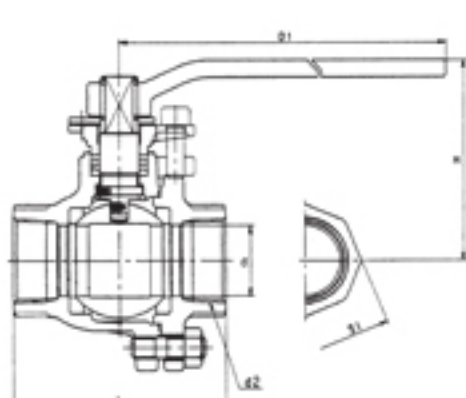
# STAINLESS STEEL VALVES

## Ball Valves

Fig. 10UT



Class JIS10K



**Materials**

Parts	Materials
Body	SCS13
Cap	SCS13
Stem	SUS 304
Ball	SUS 304
Seat	SCS13
	PTFE

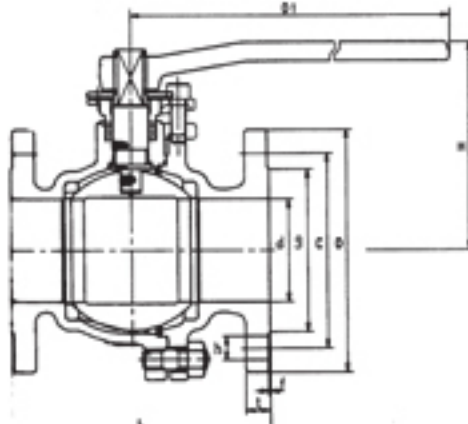
**Dimensions**

size	inch	mm								
	mm	3/8	1/2	3/4	1	1 1/4	1 1/2	2	2 1/2	3
Ball Bore	10	10	15	20	25	32	40	50	65	80
L		62	65	80	90	110	120	140	160	182
H		71	82	85	94	98	114	121	153	162
D		130	130	130	160	160	230	230	400	400

Fig. 10UTB/10UTBM



Class JIS10K



**Materials**

Parts	10UTB	10UTBM
Body	SCS13	SCS14
Cap	SCS13	SCS14
Stem	SUS 304	SUS 316
Ball	SUS 304	SUS 316
Seat	SCS13	SCS14
	HYPATITE PTFE	

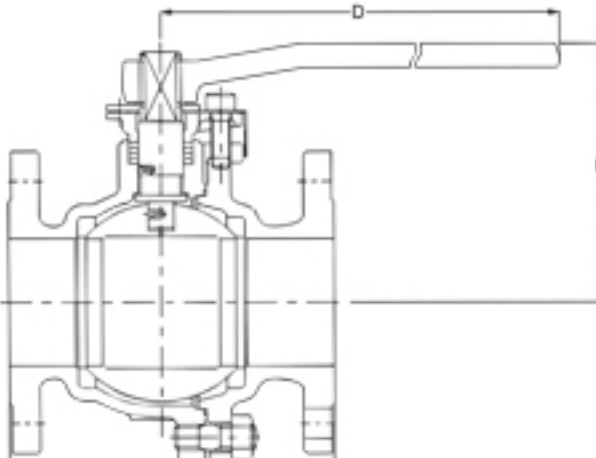
**Dimensions**

size	inch	mm												
	mm	1/2	3/4	1	1 1/4	1 1/2	2	2 1/2	3	4	5	6	8	10
Ball Bore	15	20	25	32	40	50	65	80	100	125	150	200	250	
L		110	120	130	140	165	180	190	200	230	300	340	450	533
H		82	85	94	100	115	120	153	162	191	211	290	340	-
D		130	130	160	160	230	230	400	400	460	460	1000	1500	-
H <sub>1</sub> (GEAR)											312	337	414	477
D <sub>1</sub> (GEAR)											310	310	360	500

Fig. 150UTB/150UTBM



Class 150



**Materials**

Parts	150UTB	150UTBM
Body	CF 8	CF 8M
Cap	CF 8	CF 8M
Stem	304	316
Ball	304	316
Seat	CF 8	CF 8M
	HYPATITE PTFE	

**Dimensions**

size	inch	mm												
	mm	1/2	3/4	1	1 1/2	2	2 1/2	3	4	5	6	8	10	
Ball Bore	15	20	25	40	50	65	80	100	125	150	200	250		
L		108	117	127	165	178	190	203	229	356	394	457	533	
H		102	105	124	115	120	155	165	200	220	295	355	-	
D		130	130	160	230	230	400	400	460	460	1000	1500	-	
H <sub>1</sub> (GEAR)											312	337	414	477
D <sub>1</sub> (GEAR)											310	310	360	500

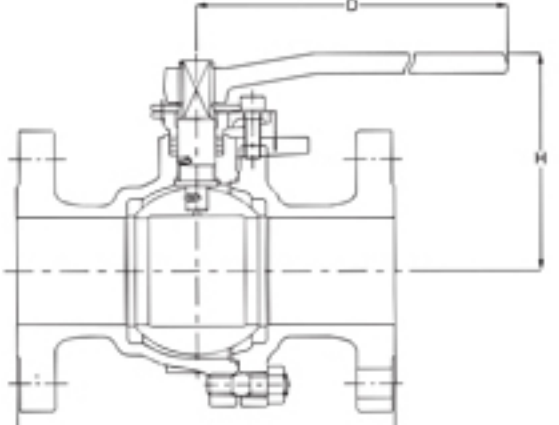
# STAINLESS STEEL VALVES

## Ball Valves

Fig. 20UTB/20UTBM



Class JIS20K



**Materials**

Parts	20UTB	20UTBM
Body	SCS13	SCS14
Cap	SCS13	SCS14
Stem	SUS 304	SUS 316
Ball	SUS 304	SUS 316
Seat	SCS13A	SCS14A
	HYPATITE PTFE	

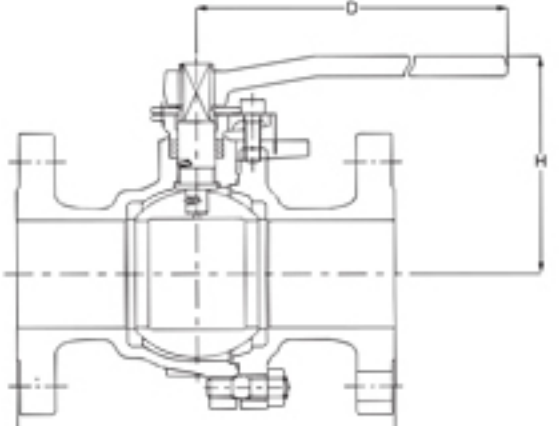
**Dimensions**

size	inch	mm									
	mm	1/2	3/4	1	1 1/2	2	2 1/2	3	4	6	8
Ball Bore	15	20	25	40	50	65	80	100	150	200	
L		140	152	165	190	216	241	283	305	403	502
H		82	85	94	115	120	153	162	240	290	340
D		130	130	160	230	230	400	400	750	1000	1500
H <sub>1</sub> (GEAR)										337	414
D <sub>1</sub> (GEAR)										310	360

Fig. 300UTB/300UTBM



Class 300



**Materials**

Parts	300UTB	300UTBM
Body	CF 8	CF 8M
Cap	CF 8	CF 8M
Stem	304	316
Ball	304	316
Seat	CF 8	CF 8M
	HYPATITE PTFE	

**Dimensions**

size	inch	mm									
	mm	1/2	3/4	1	1 1/2	2	2 1/2	3	4	6	8
Ball Bore	15	20	25	40	50	-	80	100	115	200	
L		140	152	165	190	216	-	283	305	403	502
H		102	105	124	115	120	-	165	240	295	355
D		130	130	160	230	230	-	400	750	1000	1500
H <sub>1</sub> (GEAR)										337	414
D <sub>1</sub> (GEAR)										310	360