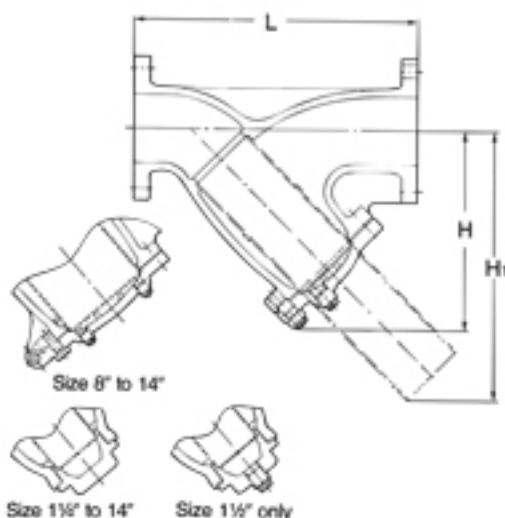


Fig. 10FCY



Class JIS10K

**Bolted cover, Y-pattern body,
Punched stainless steel plate screen.**



Dimensions

Valve size	mm inch	mm															
		10	15	20	25	32	40	50	65	80	100	125	150	200	250	300	350
		3/8	1/2	3/4	1	1 1/4	1 1/2	2	2 1/2	3	4	5	6	8	10	12	14
L	Face-to face	115	125	140	150	170	190	230	305	360	415	465	515	580	680	800	950
H	Height	46	57	63	77	90	100	127	208	237	280	325	370	462	536	625	741
H ₁		64	82	91	114	134	146	173	289	335	388	446	497	589	694	818	993

120°C Non-shock water.....1.37MPa (14kgf-cm²)
 120 C water, oil, air.....0.98MPa (10kgf cm)
 120°C Gas.....0.20MPa (2kgf-cm²)
 Saturated steam.....0.69MPa (7kgf-cm²)
 Hydrostatic shell test.....2.06MPa (21kgf/cm²)

Materials

Parts	JIS materials
Body	FC200
cap (Size 3/8" to 1 1/2")	C3771BE
Cover (Size 2" & larger)	FC200
Gasket	Asbestos-free
Screen	SUS304
Cover bolt	SS400
Cover nut (Size 2" to 6")	SS400
Plug (Size 1 1/2" & larger)	SUS304

Screen dimensions

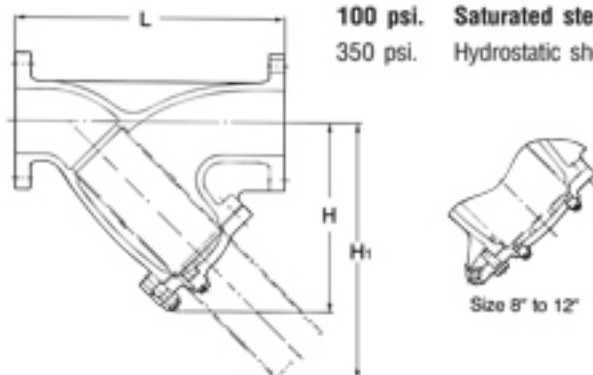
Valve Size	A	P	Thickness
3/8" to 2"	1.4φ	2.4	0.3 (1" to 2":0.4)
2 1/2" to 5"	1.5φ	2.5	0.5
6" & 8"	3.0φ	5.0	1.0
10" to 14"	5.0φ	7.0	1.0

Fig. 125FCY



Class 125

200 psi. Non-shock Water 120°C
 150 psi. Water, oil air 120°C
 100 psi. Saturated steam
 350 psi. Hydrostatic shell test



Dimensions

Valve size	mm inch	mm									
		50	65	80	100	125	150	200	250	300	
		2	2 1/2	3	4	5	6	8	10	12	
L	Face-to face	250	285	315	370	420	490	570	680	800	
H	Height	168	212	242	284	325	370	440	515	600	
H ₁		208	289	335	388	446	497	589	694	818	

Materials

Parts	ASTM materials
Body	A126 Class B
Cover	A126 Class B
Gasket	Asbestos-free
Screen	Type 304
Cover bolt	A307 Gr.B
Cover nut	A307 Gr.B (Size 2" to 6")
Plug	Type 304

Screen dimensions

Valve Size	A	P	Thickness
2" only	1.4φ	2.4	0.4
2 1/2" to 5"	1.5φ	2.5	0.5
6" & 8"	3.0φ	5.0	1.0
10" & 12"	5.0φ	7.0	1.0

Flanged ends	ASME B16.1
F-F dimension	KITZ Std.
Wall thickness	KITZ Std.