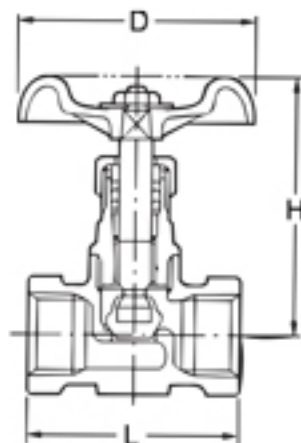


Fig. UCL



Class JIS10K



Dimensions

size	inch	1/4	3/8	1/2	3/4	1	1 1/4	1 1/2	2
	mm	8	10	15	20	25	32	40	50
L	mm	44	48	52	60	72	80	90	100
H (OPEN)	mm	68	68	68	93	100	122	138	153
D	mm	55	55	55	60	70	80	90	100

Pressure-Temperature Rating:
 0.98MPa (10kg/cm²) : 180°C
 200psi. W.O.G. : 350°F S.P.

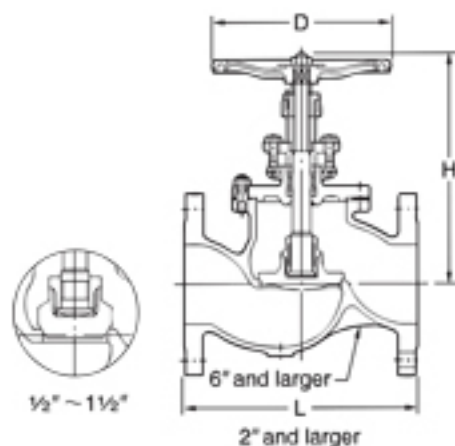
Materials

Parts	Materials
Body	SCS 13A
Bonnet	SCS 13A
Stem	SUS 304
Disc	SUS 304
Gland	SUS 304
Gland packing	Non Asbestos
Packing nut	SCS 13A
Handwheel	ZDC (1/4" - 1") / ADC (1 1/4"-2")
Name plate	A1050P

Fig. 10UPA



Class JIS10K



Dimensions

size	inch	1/2	3/4	1	1 1/4	1 1/2	2	2 1/2	3	4	5	6	8	10	12
	mm	15	20	25	32	40	50	65	80	100	125	150	200	250	300
L	in.	4.25	4.62	5.00	5.50	6.50	8.00	8.50	9.50	11.50	14.00	16.00	19.50	24.50	27.50
	mm	108	117	127	140	165	203	216	241	292	356	406	495	622	698
H (OPEN)	in.	6.6	6.6	6.8	7.5	8.1	9.3	9.8	11.5	12.8	15.0	17.8	22.0	35.4	38.9
	mm	168	168	173	190	205	235	248	291	325	380	453	559	900	987
D	in.	3.5	3.5	3.9	4.7	5.5	6.3	7.1	7.9	8.9	9.8	13.8	15.7	19.7	19.7
	mm	90	90	100	120	140	160	180	200	225	250	350	400	500	500

Pressure-Temperature Rating: JIS B2238 · ASME B 16.34

Materials

Parts	Materials
Body	SCS 13A
Bonnet	SCS 13A
Stem	SUS 304
Disc	1/2" - 2" : SUS 304 2 1/2" - 12" : SCS 13A/PTFE
Disc holder	SUS 304
Gland	SUS 304
Gland flange	SCS 13A
Gland packing	Non Asbestos
Gasket	Non Asbestos
Yoke bush	Ductile Ni-resist
Handwheel	FCD 400
Gland bolt/nut	SUS 304/304
Bonnet bolt/nut	SUS 304/304
Name plate	A1050P

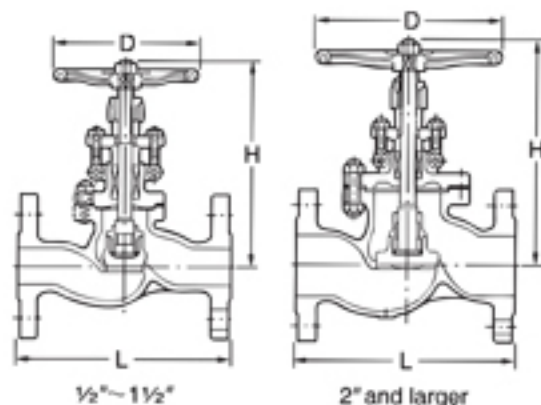
- Body seats and/or disc seats can be optionally hard-face.
- Size 1 1/4" is only for 10K
- Size 10" & 12" are only Class 150

Hammer-blow type handwheel for 10" and 12"

Fig. 20UPA



Class JIS20K



Dimensions

size	inch	1/2	3/4	1	1 1/2	2	2 1/2	3	4	5	6	8	10
	mm	15	20	25	40	50	65	80	100	125	150	200	250
L	in.	6.00	7.00	8.00	9.00	10.50	11.50	12.50	14.00	15.75	17.50	22.00	24.50
	mm	152	178	203	229	267	292	318	356	400	444	559	622
H (OPEN)	in.	7.3	7.3	7.4	9.3	11.4	11.7	13.5	15.7	19.4	22.2	33.7	41.4
	mm	186	186	187	236	289	297	343	398	493	564	857	1052
D	in.	3.9	3.9	3.9	6.3	7.1	7.9	9.8	11.8	13.8	15.8	19.7	23.6
	mm	100	100	100	160	180	200	250	300	350	400	500	600

Pressure-Temperature Rating: JIS B2238 · ASME B 16.34

Materials

Parts	Materials
Body	SCS 13A
Bonnet	SCS 13A
Stem	SUS 304
Disc	1/2" - 1 1/2" : SUS 304 2" - 10" : SCS 13A
Lock nut	1/2" - 1 1/2" : SUS 304 2" - 10" : SCS 13A
Gland	SUS 304
Gland flange	SCS 13A
Gland packing	Non Asbestos
Gasket	Non Asbestos
Yoke bush	Ductile Ni-resist
Handwheel	FCD 400
Gland bolt/nut	SUS 304/304
Gland bolt pin	SUS 403
Bonnet bolt/nut	SUS 304/304
Name plate	A1050P

- Body seats and/or disc seats can be optionally hard-face.

Hammer-blow type handwheel for 5" and 6"