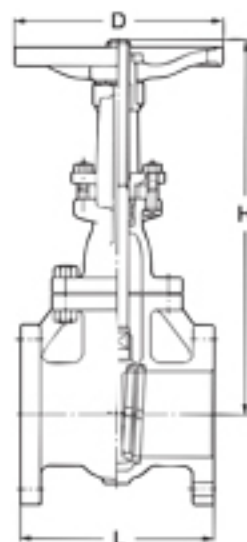


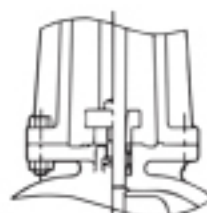
Fig. 125FCL (Bronze trim)
Fig. 125FCLS (13 Cr. trim)



Class 125



200 psi. Water, oil, Gas 65°C
125 psi. Saturated steam
350 psi. Hydrostatic shell test
220 psi. Hydrostatic seat test
80 psi. Pneumatic seat test



Size 10" to 16"

Bolted bonnet, outside screw & yoke, rising stem, solid wedge disc.

Materials

Parts	JIS materials	
	125FCL	125FCLS
Body	A126 Class B	
Bonnet	A126 Class B	
Stem	No.C37700	Type 403
Disc	A126 Class B	
Seat ring	Size 2" to 4"	B62
	Size 5" to 16"	CA-15 F6a
Gland	Ductile iron	
Gland packing	Asbestos-free	
Gasket	Asbestos-free	
Gland bolt/nut	Carbon steel	
Bonnet bolt/nut	Carbon steel	
Handwheel	A126 Class B Ductile iron(12" to 16")	
Yoke (Size 10" to 16")	A126 Class B	
Yoke bolt/nut(Size 10" to 16")	Carbon steel	

Dimensions

Valve size	mm	50	65	80	100	125	150	200	250	300	350	400
	inch	2	2½	3	4	5	6	8	10	12	14	16
L Face-to face		178	190	203	229	254	267	292	330	356	381	406
H Height (OPEN)		328	382	436	532	627	726	919	1134	1363	1560	1850
D Handwheel Diameter		160	170	170	225	225	250	280	350	450	500	600

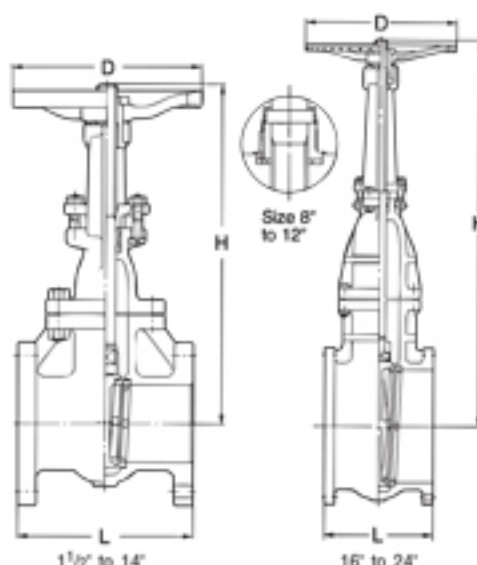
mm

Fig. 10FCL (Bronze trim)
Fig. 10FCLS (13 Cr. trim)



JIS 10 K

Bolted bonnet, outside screw & yoke, rising stem, solid wedge disc.



Size 8" to 12"

1½" to 14"

16" to 24"

120°C Non-shock water 1.37 MPa (14 kgf/cm²)
120°C Water, oil, air 0.98 MPa (10 kgf/cm²)
120°C Gas 0.20 MPa (2 kgf/cm²)
Saturated steam 0.69 MPa (7 kgf/cm²)
Hydrostatic shell test 2.06 MPa (21 kgf/cm²)
Hydrostatic seat test 1.51 MPa (15.4 kgf/cm²)

Materials

Parts	JIS materials	
	10FCL	10FCLS
Body	FC200	
Bonnet	FC200	
Stem	C3771BD	SUS403
Disc	FC200	
Seat ring	Size 1½" to 4"	BC6
	Size 5" to 24"	SCS1 SUS403
Gland	Size 1½" to 14"	FCD-S
	Size 16" to 24"	SUS403
Gland packing	Asbestos-free	
Hand wheel	Size 1½" to 8"	FC250
	Size 10" to 24"	FCD400
Gasket	Asbestos-free	
Bonnet bolt/nut	SS400	
Gland bolt/nut	SS400	
Yoke sleeve	BC6	
Yoke (Size 10" to 24")	FC200	

Dimensions

Valve size	mm	40	50	65	80	100	125	150	200	250	300	350	400	450	500	600
	inch	1½	2	2½	3	4	5	6	8	10	12	14	16	18	20	24
L Face-to face		165	180	190	200	230	250	270	290	330	350	381	406	432	457	508
H Height (OPEN)		306	343	389	462	547	648	759	956	1168	1363	1560	1795	1995	2230	2640
D Handwheel Diameter		160	170	170	200	250	280	300	350	400	450	500	600	600	680	760

mm