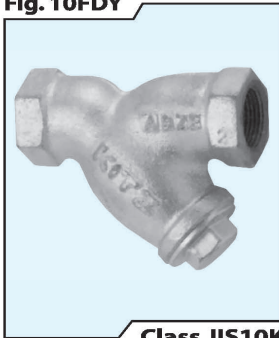
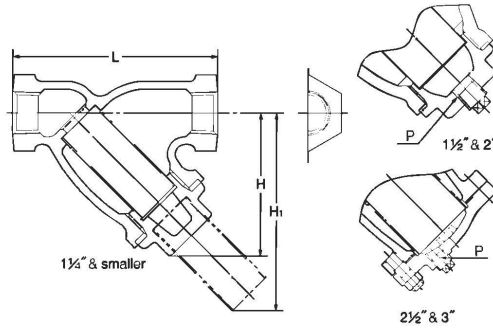


Fig. 10FDY



Class JIS10K



Dimensions

size	mm	8	10	15	20	25	32	40	50	65	80	mm
inch		1/4	3/8	1/2	3/4	1	1 1/4	1 1/2	2	2 1/2	3	
L		65	70	85	100	115	135	150	180	220	250	
H		46	46	60	65	75	90	100	115	191	215	
P		-	-	-	-	-	-	Rc3/8	Rc1/2	Rc1/4	Rc1/4	
H ₁		63	63	85	95	110	130	145	170	271	311	

120°C Static water.....1.37MPa(14kgf/cm²)
 200°C Steam, air, gas, oil0.98MPa(10kgf/cm²)

- Use for lubricating or hydraulic oil is acceptable.
- Employment of copper disc prohibits use of this valve for ammonia or amine chemicals.

Screen Hole Size

Valve size	A	B
1/4"~2"	1.4	2.4
2 1/2"~3"	1.5	2.5

Test pressure

Body	2.06MPa (21kgf/cm ²) [hydrostatic]
------	--

Materials

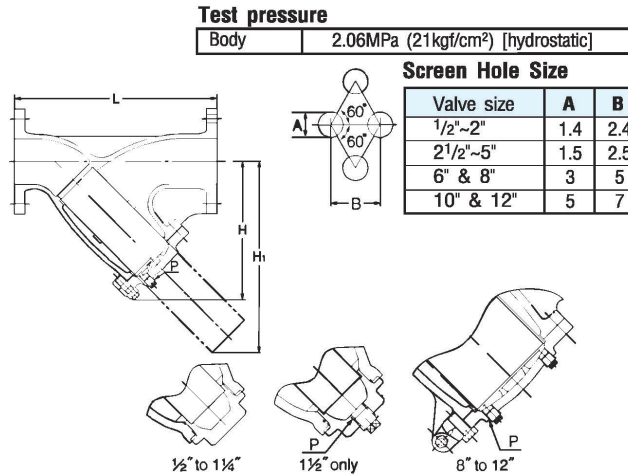
Parts	JIS material
Body	FCD-S
Cap (1/4"~2")	C3771BE
Cover (2 1/2"~3")	FCD-S
Gasket	Non asbestos
Screen	SUS 304
Plug*	SUS 304 (2" : FCMB 270)

*1 1/2" & larger

Fig. 10FDYBF



Class JIS10K



Test pressure

Body	2.06MPa (21kgf/cm ²) [hydrostatic]
------	--

Screen Hole Size

Valve size	A	B
1/2"~2"	1.4	2.4
2 1/2"~5"	1.5	2.5
6" & 8"	3	5
10" & 12"	5	7

120°C Static water.....1.37MPa(14kgf/cm²)
 220°C Steam, air, gas, oil1.18MPa(12kgf/cm²)
 300°C Steam, air, gas, oil0.98MPa(10kgf/cm²)
 (1/2" ~ 1 1/2" : 260°C1.07MPa(11kgf/cm²)

- Use for lubricating or hydraulic oil is acceptable.
- Employment of copper disc prohibits use of this valve for ammonia or amine chemicals.
- Bolting materials will be changed for servicing high temperature exceeding 225°C. Contact KITZ Corporation for detailed information.
- A gasket will be used for sealing the plug for application to high temperature exceeding 260°C. Specify your service temperature in advance. Ensure replacement of plug gaskets on your valve maintenance.

Materials

Parts	JIS material
Body	FCD-S
Cap (1/2"~1 1/2")	C3771BE
Cover (2"~12")	FCD-S
Gasket	Non asbestos
Screen	SUS 304
Cover bolt / nut	ss 400
Plug*	SUS 304

*1 1/2" & larger

Dimensions

size	mm	15	20	25	32	40	50	65	80	100	125	150	200	250	300	mm
inch		1/2	3/4	1	1 1/4	1 1/2	2	2 1/2	3	4	5	6	8	10	12	
L		125	140	150	170	190	230	305	360	415	465	515	580	680	800	
H		57	63	77	90	100	138	212	242	284	325	370	462	536	625	
P		-	-	-	-	Rc3/8	Rc1/4	Rc1/4	Rc1/4	Rc3/4	Rc3/4	Rc3/4	Rc3/4	Rc3/4	Rc3/4	
H ₁		82	91	114	134	146	172	290	340	391	450	502	645	757	882	