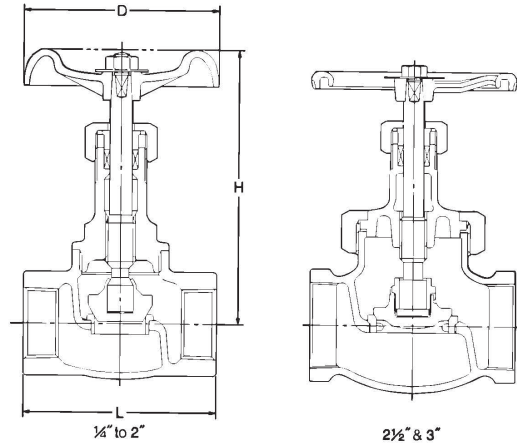


**Fig. 10SJ**



**Class JIS10K**



**Dimensions**

size	mm inch	mm									
		8	10	15	20	25	32	40	50	65	80
		1/4	3/8	1/2	3/4	1	1 1/4	1 1/2	2	2 1/2	3
L		50	55	65	80	90	105	120	140	180	200
H (OPEN)		108	108	122	125	146	160	180	198	250	280
D		60	60	70	80	90	100	115	135	180	225

120°C Static water.....1.37MPa(14kgf/cm<sup>2</sup>)  
 220°C Steam, air,gas,oil.....0.98MPa(10kgf/cm<sup>2</sup>)

- Use for lubricating or hydraulic oil is acceptable. Contact KITZ Corporation for technical advice, if valves are used as heat transfer media.

**Test pressure**

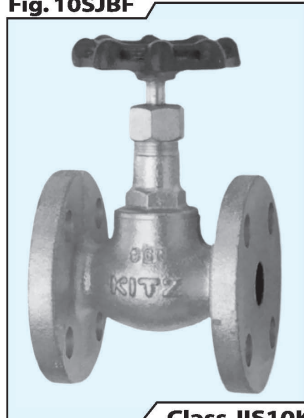
Body	2.06MPa (21kgf/cm <sup>2</sup> ) [hydrostatic]
Seat	1.51MPa (15.4kgf/cm <sup>2</sup> ) [hydrostatic]
	0.59MPa (6kgf/cm <sup>2</sup> ) [air]

**Materials**

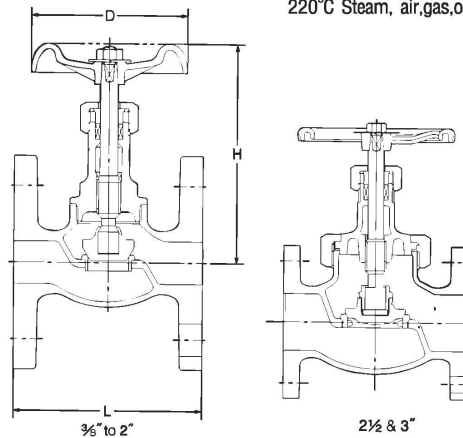
Parts	JIS material
Body	FCD-S
Bonnet	FCD-S
Stem	SUS 420J2
Disc	SUS 403
Body seat ring	SUS 403
Gland	SUS 403 (1/2" & 3/4" : SUS420J2)
Gland packing	Non asbestos
Packing nut	FCD 400
Handwheel	FCD 450 (2 1/2" & 3" : FCD 400)
Wheel nut	SS 400
Gasket*	Non asbestos
Bonnet ring*	FCD-S
Name plate	A1050P

\* Only for 2 1/2" & 3"

**Fig. 10SJB**



**Class JIS10K**



120°C Static water.....1.37MPa(14kgf/cm<sup>2</sup>)  
 220°C Steam, air,gas,oil.....0.98MPa(10kgf/cm<sup>2</sup>)

- Use for lubricating or hydraulic oil is acceptable. Contact KITZ Corporation for technical advice, if valves are used as heat transfer media.

**Test pressure**

Body	2.06MPa (21kgf/cm <sup>2</sup> ) [hydrostatic]
Seat	1.51MPa (15.4kgf/cm <sup>2</sup> ) [hydrostatic]
	0.59MPa (6kgf/cm <sup>2</sup> ) [air]

**Materials**

Parts	JIS material
Body	FCD-S
Bonnet	FCD-S
Stem	SUS 420J2
Disc	SUS 403
Body seat ring	SUS 403
Gland	SUS 403 (1/2" & 3/4" : SUS420J2)
Gland packing	Non asbestos
Packing nut	FCD 400
Handwheel	FCD 450 (2 1/2" & 3" : FCD 400)
Wheel nut	SS 400
Gasket*	Non asbestos
Bonnet ring*	FCD-S
Name plate	A1050P

\* Only for 2 1/2" & 3"

**Dimensions**

size	mm inch	mm									
		10	15	20	25	32	40	50	65	80	
		3/8	1/2	3/4	1	1 1/4	1 1/2	2	2 1/2	3	
L		85	85	95	110	130	150	180	210	240	
H (OPEN)		108	122	125	146	160	180	198	250	280	
D		60	70	80	90	100	115	135	180	225	