

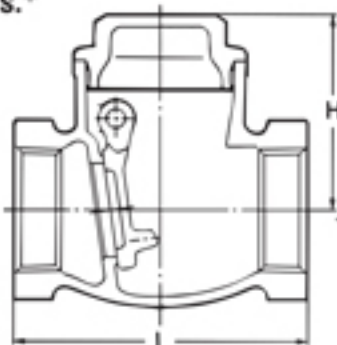
**Fig. R**



**Class 125**

R... Threaded ends to BS21

Screwed cap, Swing type disc,  
Integral seat, Threaded ends to BS21 or NPT, or  
solder joint ends.\*



**Dimensions**

Valve size	inch	3/8	1/2	3/4	1	1 1/4	1 1/2	2	2 1/2	3	4
	mm	10	15	20	25	32	40	50	65	80	100
L	Threaded end to end	53	60	70	80	92	102	122	150	165	195
L <sub>1</sub>	Solder end to end	56	67	89	104	120	134	164	193	213	-
H	Height	39	39	45	52	62	67	79	91	102	119
G		9.7	12.7	19.1	23.1	24.6	27.7	34	37.4	42.2	-

1.38 MPa (200 psi) W.O.G. non-shock  
0.86 MPa (125 psi) S.P. saturated

**Materials**

Parts	Material
Body	Bronze
Cap	Brass/bronze*
Disc	Brass/bronze*
Hinge pin	Brass

\* Bronze for 4" only

**Test pressure:** Shell 2.07 MPa (300 psi) (Hydrostatic)  
Seat 1.38-0.48 MPa (200-70 psi) (Hydrostatic)  
Seat 0.55 MPa (80 psi) (Air)

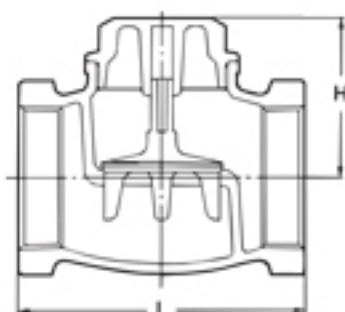
**Fig. F**



**Class 150**

F... Threaded ends to BS21

Screwed cap, Lift type disc, Integral seat,  
Threaded ends to BS21 or NPT.



Size 1" and smaller

**Dimensions**

Valve size	inch	3/8	1/2	3/4	1	1 1/4	1 1/2	2	2 1/2	3
	mm	10	15	20	25	32	40	50	65	80
L	End to end	44	53	65	77	85	100	119	139	158
H	Height	26	28	34	42	50	56	67	79	91

2.07 MPa (300 psi) W.O.G. non-shock  
1.03 MPa (150 psi) S.P. saturated

**Materials**

Parts	Material
Body	Bronze
Cap	Brass/bronze*
Disc	Bronze

\* Bronze for 2 1/2" and larger.

**Test pressure:** Shell 3.10 MPa (450 psi) (Hydrostatic)  
Seat 2.07 MPa (300 psi) (Hydrostatic)

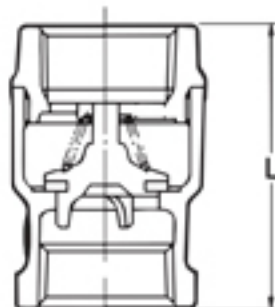
**Fig. RF**



**Class 150**

RF... Threaded ends to BS21

Bronze body, Spring loaded lift type disc,  
Threaded ends to BS21 or NPT, or  
solder joint ends.\*



**\* Caution**

Solder joint end valves should not be used in service where the temperature of the line fluid is higher than the softening point of solder.

**Dimensions**

Valve size	inch	1/2	3/4	1	1 1/4	1 1/2	2
	mm	15	20	25	32	40	50
L	End to end	53	59	67	78	84	98
L <sub>1</sub>	Solder end to end	61	76	89	97	110	132
G		12.7	19.1	23.1	24.6	27.7	34
S		28(26)	34(32)	41(39)	50(48)	57(54)	70(67)

1.72 MPa (250 psi) W.O.G. non-shock

**Materials**

Parts	Material
Body	Bronze
Cap	Bronze
Disc	NBR / FPM*
Disc holder	Bronze
Spring	Phosphor bronze

\* FPM for solder joint end valve

**Test pressure:** Shell 2.59 MPa (375 psi) (Hydrostatic)  
Seat 1.72 MPa (250 psi) (Hydrostatic)  
Seat 0.55 MPa (80 psi) (Air)