


Long Neck Type
Prevented dew condensation



- A long stainless steel neck reduces conductivity of the fluid heat for prevention of dew condensation.
- Availability of valve body and neck insulation.
- Choice of actuators for automated valve operation.

Applications:

- Building utilities.
- Piping networks for cold water, hot water and other water supply.

Short Neck Type
Compact design



- Suitable for piping in a limited space
- Choice of actuators for automated valve operation.

Applications:

- Building utilities.
- Plant facilities.
- Water treatment service.
- Operation of industrial machineries.

Neckless Type
Built-in operation mechanism
(Driven with a socket wrench)

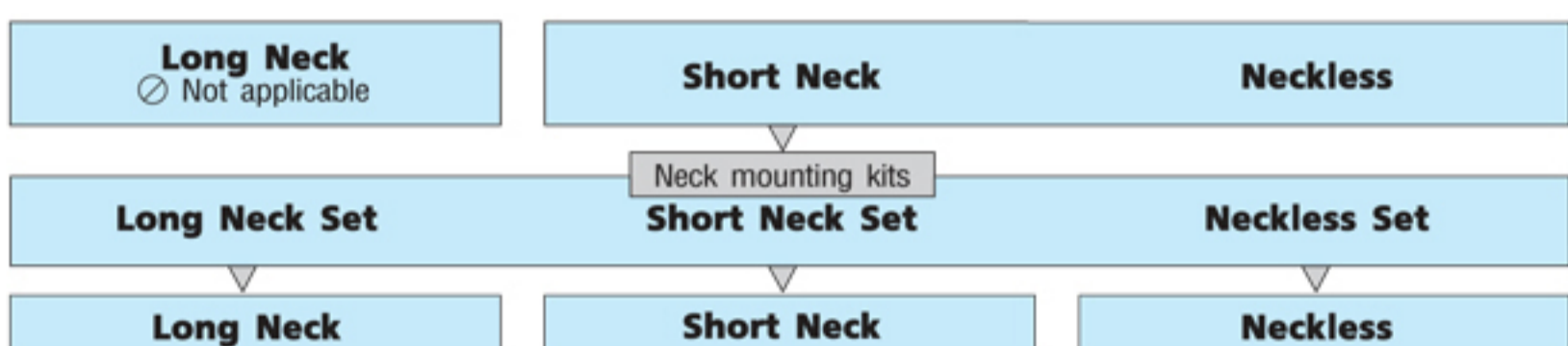
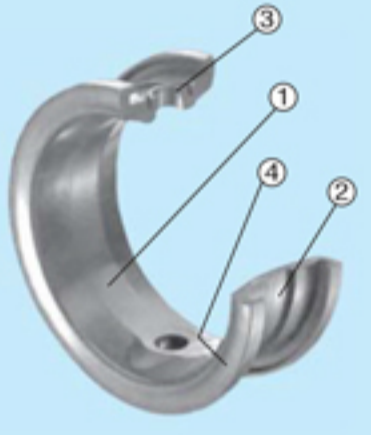


- Suitable for less frequent on-off operation.
- Suitable for piping in a limited space.
- Availability of valve body insulation.
- Prevention of unauthorized and unintentional operation.

Applications:

- Building utilities.
- Plant facilities.
- Water treatment service.
- Operation of industrial machineries.

Neck mounting kits are optionally available for easy change of neck designs, depending on desired service condition. Detailed information is available on contact to KITZ Corporation.

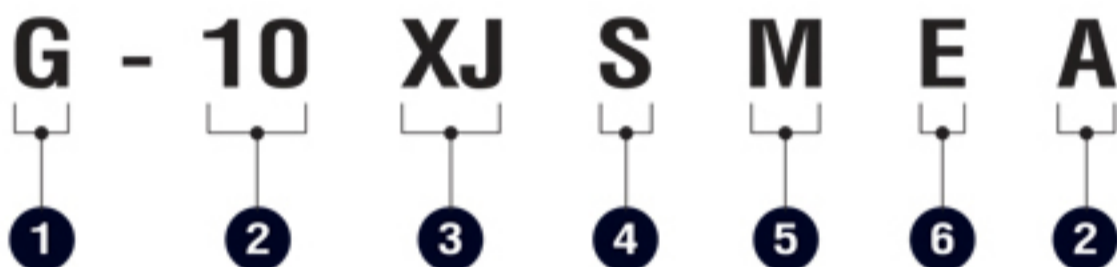



Elaborately designed KITZ EPDM seat are featured with the following uniqueness for functional stability, high sealing performance and long life cycle:

- Self-reinforcing dual back-ribs
- Wider disc seating contact
- Dual stem seal bearings

- ① Wider disc seating contact for high sealing performance.
- ② Dual reinforcing back-ribs to minimize valve operating problems such as distortion, skidding and exfoliation of rubber liners caused by line pressure load and friction with metal disc.
- ③ Stem seal bearings are assembled on top and bottom stems for stabilized sealing function.
- ④ Gasketless flange sealing contact for easy valve mounting.

Product Coding



- 1 Valve operation**
- Non Lever
 - G Gear
 - FA Pneumatic actuator (Double action)
 - FAS Pneumatic actuator (Spring return action)
 - EXS Electric actuator (AC110V/220V)
 - N Socket wrench type
- 2 Class**
- 10_A JIS 10K/ASME Class 150
 - PN16 BS 4504 PN16

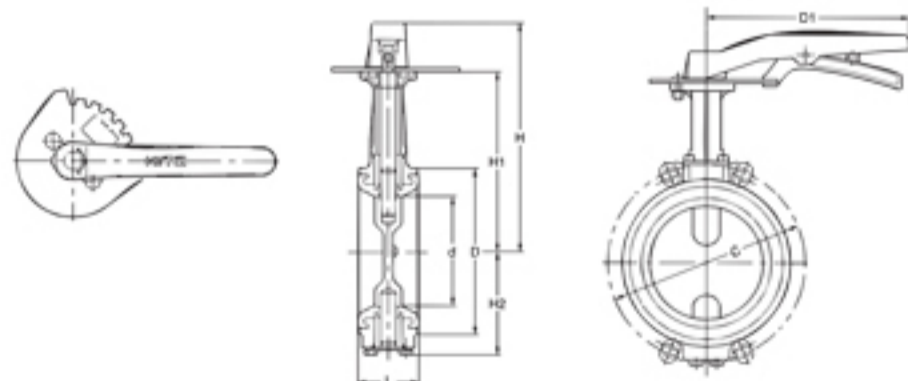
- 3 KITZ Butterfly valve series**
- XJ XJ series
- 4 Design**
- None Long neck
 - S Short neck
- 5 Disc material**
- M 316 stainless steel
- 6 Seat material**
- E EPDM

Materials

Parts	Materials
Body	Aluminum Die-cast / Equivalent ASTM B85-84-383.0 (Size 10" and larger : Equivalent ASTM B26-356.0)
Neck	A351 Gr. CF8
Stem	A276 Type 403 (Size 10" and larger : Equivalent ASTM B276 Type 420)
Disc	A351 Gr. CF8M
O-ring	EPDM
Rubber seat	EPDM
Bottom stem	A276 Type 403 (Size 10" and larger : Equivalent ASTM A276 Type 420)
Bearing	Metal Backed PTFE (Size 1 1/2" , 10" and 12") PolyPhenylene sulfide (10 XJMEA:Size 2" to 8") Bronze : CAC406C (PN16XJME : Size 2" to 8")

Lever Operated

10XJMEA
PN16XJME



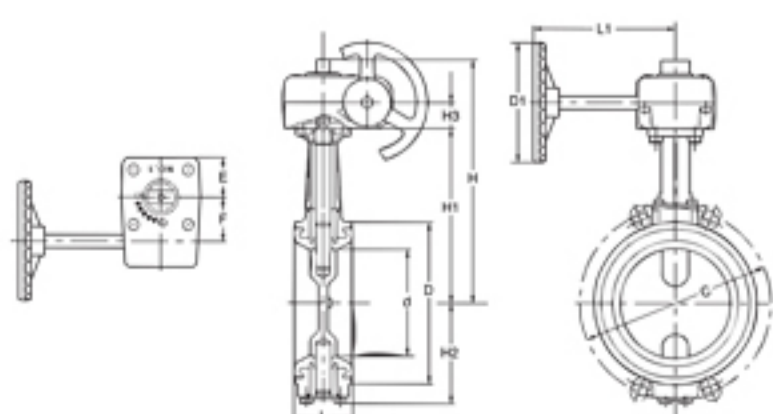
Dimensions

Size	mm	inch	d	H	H1	H2	L	D	C			D1	unit mm
									10K	Class 150	PN16		
40	1 1/2	40	175	130	60	33	78	105	98.5	110	180		
50	2	50	177	132	66	43	93	120	120.5	125	180		
65	2 1/2	65	186	141	74	46	118	140	139.5	145	180		
80	3	80	194	149	83	46	129	150	152.5	160	180		
100	4	100	205	160	94	52	149	175	190.5	180	180		
125	5	125	248.5	194.5	122	56	184	210	216	210	230		
150	6	150	261	207	135	56	214	240	241.5	240	230		

LONG NECK TYPE

Gear Operated

G-10XJMEA
G-PN16XJME



Dimensions

Size	mm	inch	d	H	H1	H2	H3	L	D	C			D1	L1	E	F	Gear type	unit mm
										10K	Class 150	PN16						
40	1 1/2	40	177	130	60	18.5	33	78	105	98.5	110	80	121.5	29	28	No.0		
50	2	50	179	132	66	18.5	43	93	120	120.5	125	80	121.5	29	28	No.0		
65	2 1/2	65	188	141	74	18.5	46	118	140	139.5	145	80	121.5	29	28	No.0		
80	3	80	211.5	149	83	23.8	46	129	150	152.5	160	110	135	36.4	40.3	No.1		
100	4	100	222.5	160	94	23.8	52	149	175	190.5	180	110	135	36.4	40.3	No.1		
125	5	125	257	194.5	122	23.8	56	184	210	216	210	110	150	36.4	40.3	No.1		
150	6	150	269.5	207	135	23.8	56	214	240	241.5	240	110	150	36.4	40.3	No.1		
200	8	196	310	233.5	161	32	60	258	290	298.5	295	170	185	51	62.9	No.2		
250	10	246	405	328	218.5	32	68	316	355	362	355	170	180	51	62.9	No.2		
300	12	295	430	353	243.5	32	78	367	400	-	410	180	180	51	62.9	No.2		

LONG NECK TYPE