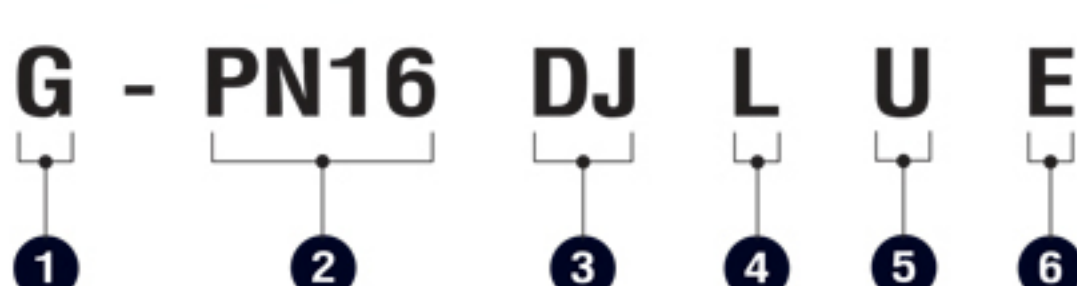


# DJ SERIES BUTTERFLY VALVES

## Product Coding



### 1 Valve operation

None: Lever handle  
 G: Gear  
 VG: Vertical gear  
 B: Type B pneumatic actuator  
 BS: Type BS pneumatic actuator  
 FA: Type FA pneumatic actuator  
 FAS: Type FAS pneumatic actuator  
 EXS: : Type EXS KELMO<sup>®</sup> electric actuator

### 2 Class

150: ASME 150 psi  
 200: ASME 200 psi  
 PN16: BS4504 PN16  
 10: JIS 10K  
 16: JIS 16K

### 3 Valve material and design

DJ: Ductile iron DJ series  
 FDC: Ductile iron C series

### 4 Connection

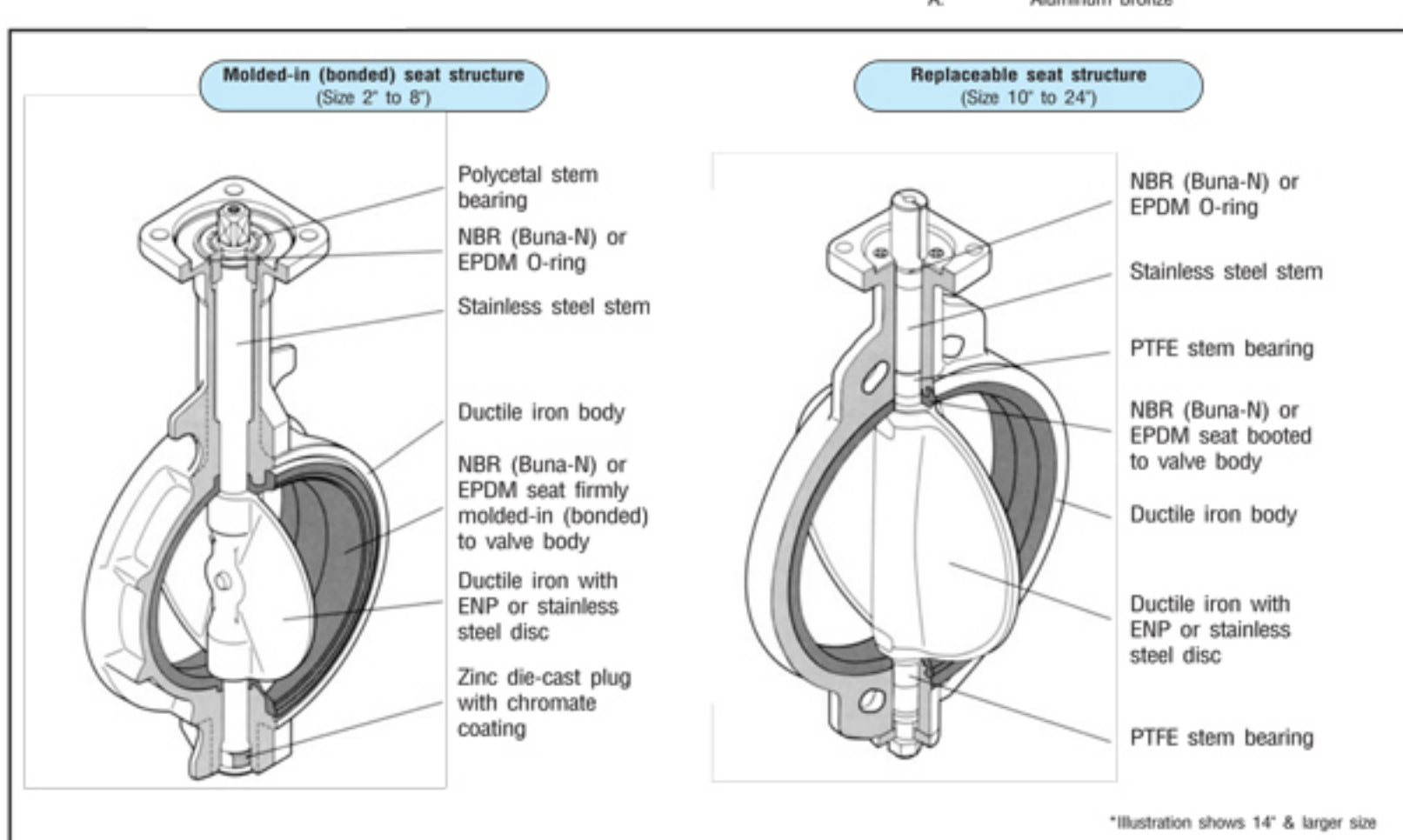
None: Water  
 L: Lugged  
 F: Double flanged

### 5 Disc material

None: Ductile iron (Ni-plated)  
 U: 304 stainless steel  
 M: 316 stainless steel  
 A: Aluminum bronze

### 6 Seat material

None: NBR (Buna-N)  
 E: EPDM



## Materials

| Parts                | Materials                       |
|----------------------|---------------------------------|
| Body                 | Ductile iron *1                 |
| Stem                 | 410 stainless steel             |
| Disc                 | See "Trim material coding"      |
| Seat                 |                                 |
| O-ring               | NBR (Buna-N) or EPDM            |
| Bearing              | Polycetal and metal backed PTFE |
| Plug (size 2" to 8") | Zinc die-cast                   |
| Bottom stem          | 403 stainless steel             |
| Operator             |                                 |
| Lever                | Aluminum die-cast               |
| Gear                 | Aluminum die-cast               |
| Vertical gear        | Cast iron                       |

## Trim materials coding

| Fig. suffix | Disc                     | Seat         |
|-------------|--------------------------|--------------|
| None        | Ductile iron (Ni-plated) | NBR (Buna-N) |
| E           | Ductile iron (Ni-plated) | EPDM         |
| U           | 304 stainless steel      | NBR (Buna-N) |
| UE          | 304 stainless steel      | EPDM         |
| M           | 316 stainless steel      | NBR (Buna-N) |
| ME          | 316 stainless steel      | EPDM         |
| A           | Aluminum bronze          | NBR (Buna-N) |
| AE          | Aluminum bronze          | EPDM         |

\*1 Cast Iron for JIS 10K design, size 14" and larger.

# BUTTERFLY VALVES DJ SERIES

## Lever Operated Wafer Type

### ASME 150/200 psi Design

150/200DJ

### BS PN16 Design

PN16DJ

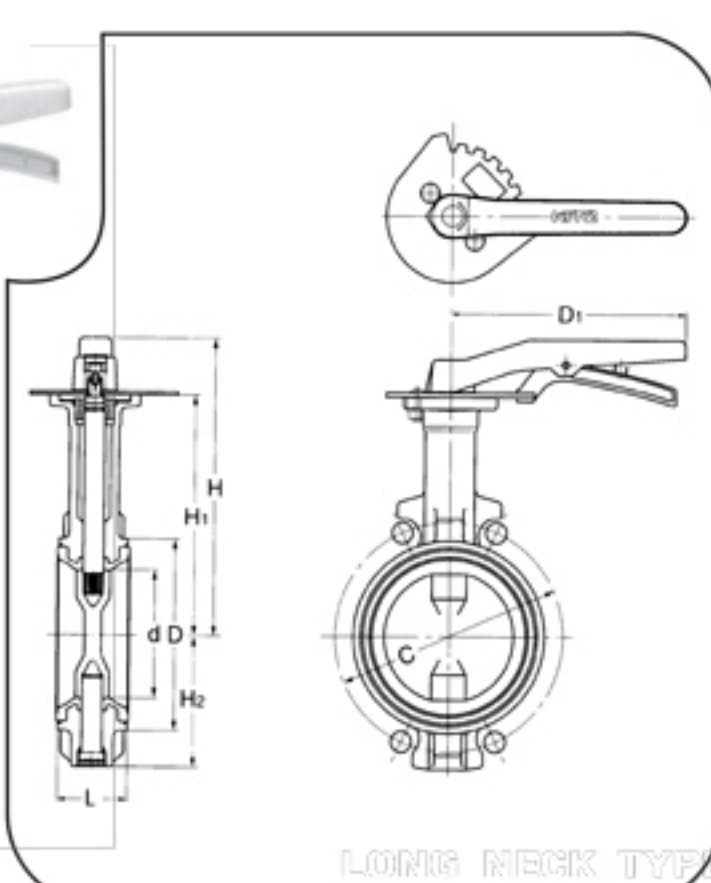
### JIS 10K Design

10DJ

### JIS 16K Design

16DJ

of product coding are trim material coding



### ASME 150/200 psi - BS PN16 - JIS 16K Design

| Valve Size |     | d   | H          | H1  | H2  | L  | D   | C            |      |     | D1  |
|------------|-----|-----|------------|-----|-----|----|-----|--------------|------|-----|-----|
| inch       | mm  |     |            |     |     |    |     | ASME 150/200 | PN16 | 16K |     |
| 2          | 50  | 50  | 191        | 147 | 67  | 43 | 90  | 120.5        | 125  | 120 | 180 |
| 2 1/2      | 65  | 65  | 199        | 155 | 75  | 46 | 104 | 139.5        | 145  | 140 | 180 |
| 3          | 80  | 80  | 217        | 173 | 91  | 46 | 124 | 152.5        | 160  | 160 | 180 |
| 4          | 100 | 100 | 227        | 183 | 101 | 52 | 146 | 190.5        | 180  | 185 | 180 |
| 5          | 125 | 125 | 265        | 211 | 127 | 56 | 176 | 216          | 210  | 225 | 230 |
| 6          | 150 | 150 | 277        | 223 | 139 | 56 | 206 | 241.5        | 240  | 260 | 230 |
| 8          | 200 | 197 | 287(284.5) | 248 | 169 | 60 | 257 | 298.5        | 295  | 305 | 350 |

## JIS 10K Design

| Valve Size |     | d   | H   | H1  | H2  | L  | D   | C   | D1  |
|------------|-----|-----|-----|-----|-----|----|-----|-----|-----|
| inch       | mm  |     |     |     |     |    |     |     |     |
| 2          | 50  | 50  | 191 | 147 | 67  | 43 | 90  | 120 | 180 |
| 2 1/2      | 65  | 65  | 199 | 155 | 75  | 46 | 104 | 140 | 180 |
| 3          | 80  | 80  | 217 | 173 | 91  | 46 | 124 | 150 | 180 |
| 4          | 100 | 100 | 227 | 183 | 101 | 52 | 146 | 175 | 180 |
| 5          | 125 | 125 | 265 | 211 | 127 | 56 | 176 | 210 | 230 |
| 6          | 150 | 150 | 277 | 223 | 139 | 56 | 206 | 240 | 230 |
| 8          | 200 | 197 | 287 | 248 | 169 | 60 | 257 | 305 | 350 |

# DJ SERIES BUTTERFLY VALVES

## Gear Operated Wafer Type

### ASME 150/200 psi Design

G-150/200DJ

### BS PN16 Design

G-PN16DJ

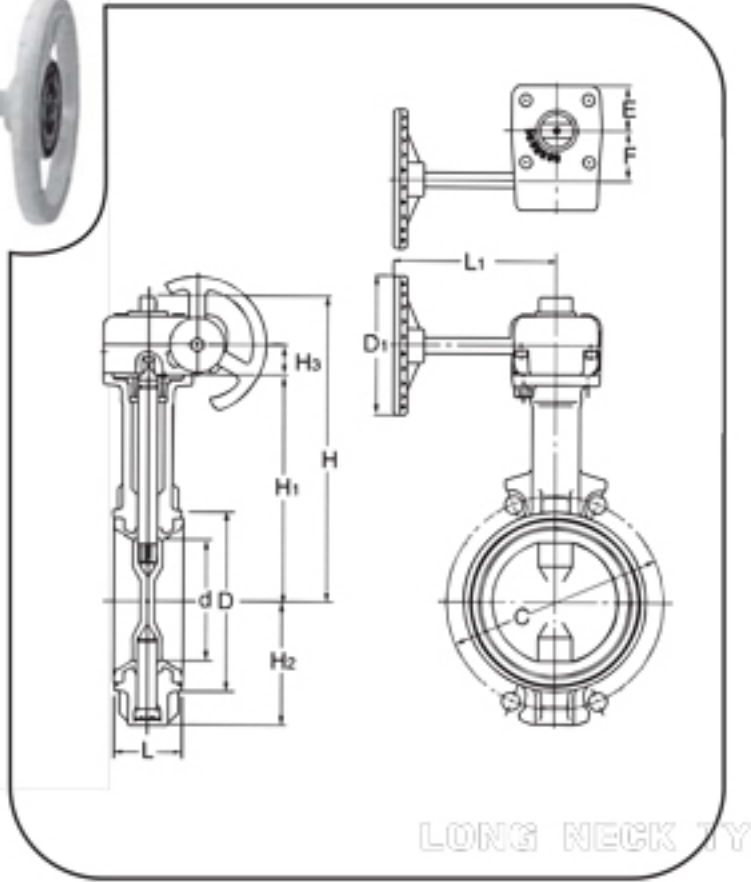
### JIS 10K Design

G-10DJ

### JIS 16K Design

G-16DJ

of product coding are trim material coding



### ASME 150/200 psi - BS PN16 - JIS 16K Design

| Valve Size |     | d   | H          | H1  | H2  | H3 | L   | D   | C            |      |     | D1  | L1  | E    | F    |
|------------|-----|-----|------------|-----|-----|----|-----|-----|--------------|------|-----|-----|-----|------|------|
| inch       | mm  |     |            |     |     |    |     |     | ASME 150/200 | PN16 | 16K |     |     |      |      |
| 2          | 50  | 50  | 210(165.5) | 147 | 67  | 24 | 43  | 90  | 120.5        | 125  | 120 | 110 | 135 | 36.5 | 40.5 |
| 2 1/2      | 65  | 65  | 218(173.5) | 155 | 75  | 24 | 46  | 104 | 139.5        | 145  | 140 | 110 | 135 | 36.5 | 40.5 |
| 3          | 80  | 80  | 236        | 173 | 91  | 24 | 46  | 124 | 152.5        | 160  | 160 | 110 | 135 | 36.5 | 40.5 |
| 4          | 100 | 100 | 246        | 183 | 101 | 24 | 52  | 146 | 190.5        | 180  | 185 | 110 | 135 | 36.5 | 40.5 |
| 5          | 125 | 125 | 274        | 211 | 127 | 24 | 56  | 176 | 216          | 210  | 225 | 110 | 150 | 36.5 | 40.5 |
| 6          | 150 | 150 | 286        | 223 | 139 | 24 | 56  | 206 | 241.5        | 240  | 260 | 110 | 150 | 36.5 | 40.5 |
| 8          | 200 | 197 | 325        | 248 | 169 | 32 | 60  | 257 | 298.5        | 295  | 305 | 170 | 180 | 51   | 63   |
| 10         | 250 | 246 | 381        | 304 | 219 | 32 | 68  | 312 | 362          | 355  | 380 | 170 | 180 | 51   | 63   |
| 12         | 300 | 295 | 406        | 329 | 244 | 32 | 78  | 364 | 432          | 410  | 430 | 170 | 180 | 51   | 63   |
| 14         | 350 | 334 | 435        | 360 | 309 | 32 | 78  | 407 | 476.5        | 470  | 480 | 315 | 280 | 56   | 72   |
| 16         | 400 | 385 | 447        | 360 | 309 | 47 | 78  | 407 | 445          | 445  | 445 | 310 | 280 | 56   | 72   |
| 18         | 450 | 434 | 526        | 415 | 341 | 47 | 102 | 466 | 510          | 450  | 450 | 330 | 330 | 73   | 86   |
| 20         | 500 | 482 | 594        | 488 | 414 | 45 | 127 | 575 | 635          | 650  | 660 | 400 | 330 | 73   | 86   |
| 24         | 600 | 579 | 660        | 536 | 463 | 50 | 154 | 680 | 749.5        | 770  | 770 | 480 | 360 | 80   | 100  |

## JIS 10K Design

| Valve Size |     | d   | H   | H1  | H2  | H3 | L   | D   | C   | D1  | L1  | E    | F    |
|------------|-----|-----|-----|-----|-----|----|-----|-----|-----|-----|-----|------|------|
| inch       | mm  |     |     |     |     |    |     |     |     |     |     |      |      |
| 2          | 50  | 50  | 210 | 147 | 67  | 24 | 43  | 90  | 120 | 110 | 135 | 36.5 | 40.5 |
| 2 1/2      | 65  | 65  | 218 | 155 | 75  | 24 | 46  | 104 | 140 | 110 | 135 | 36.5 | 40.5 |
| 3          | 80  | 80  | 236 | 173 | 91  | 24 | 46  | 124 | 150 | 110 | 135 | 36.5 | 40.5 |
| 4          | 100 | 100 | 246 | 183 | 101 | 24 | 52  | 146 | 175 | 110 | 135 | 36.5 | 40.5 |
| 5          | 125 | 125 | 274 | 211 | 127 | 24 | 56  | 176 | 210 | 110 | 150 | 36.5 | 40.5 |
| 6          | 150 | 150 | 286 | 223 | 139 | 24 | 56  | 206 | 240 | 110 | 150 | 36.5 | 40.5 |
| 8          | 200 | 197 | 325 | 248 | 169 | 32 | 60  | 257 | 290 | 170 | 180 | 51   | 63   |
| 10         | 250 | 246 | 381 | 304 | 219 | 32 | 68  | 312 | 355 | 170 | 180 | 51   | 63   |
| 12         | 300 | 295 | 406 | 329 | 244 | 32 | 78  | 364 | 400 | 310 | 180 | 51   | 63   |
| 14         | 350 | 334 | 447 | 360 | 309 | 47 | 78  | 407 | 445 | 315 | 280 | 56   | 72   |
| 16         | 400 | 385 | 502 | 415 | 341 | 47 | 102 | 466 | 510 | 350 | 280 | 56   | 72   |
| 18         | 450 | 434 | 526 | 439 | 365 | 47 | 114 | 522 | 565 | 400 | 330 | 73   | 86   |
| 20         | 500 | 482 | 587 | 488 | 414 | 60 | 127 | 575 | 620 | 480 | 330 | 73   | 86   |
| 24         | 600 | 579 | 635 | 536 | 463 | 60 | 154 | 680 | 730 | 480 | 360 | 80   | 100  |