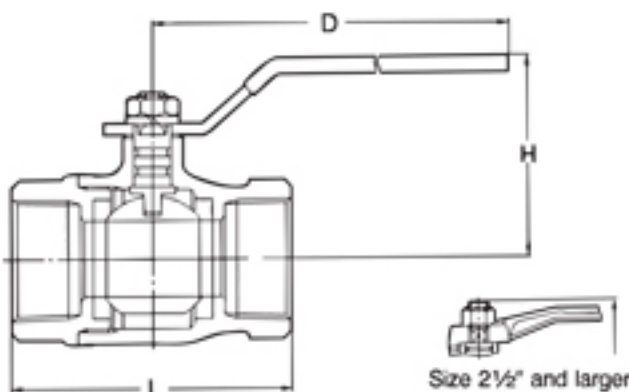


Fig. T



Type 400

Screwed body cap, PTFE seats, Blowout-proof stem, Threaded ends to BS21 or NPT.



Size 2 1/2" and larger

2.76 MPa (400 psi) W.O.G. non-shock
0.69 MPa (100 psi) W.O.G. 150°C

Materials

Parts	Material
Body	Brass/bronze*
Body cap	Brass/bronze*
Stem	K-Metal [☆]
Ball	Brass (chrome plated)
Ball seat	PTFE
O-ring	FPM
Handle	Stainless steel (vinyl grip)
1/4"-2"	
2 1/2"-4"	Ductile iron

[☆] K-Metal is a special brass developed for anti-dezincification.
* Bronze for 4".

Dimensions

Valve size	inch	mm	1/4	3/8	1/2	3/4	1	1 1/4	1 1/2	2	2 1/2	3	4
Bore size			10	10	10	15	20	25	32	40	50	65	80
L	End to end		50	50	65	68	79	86	96	109	127	153	179
H	Height		45	45	45	50	55	60	65	75	91	105	124
D	Length of handle		80	80	100	100	130	130	130	150	200	300	400

Test pressure:

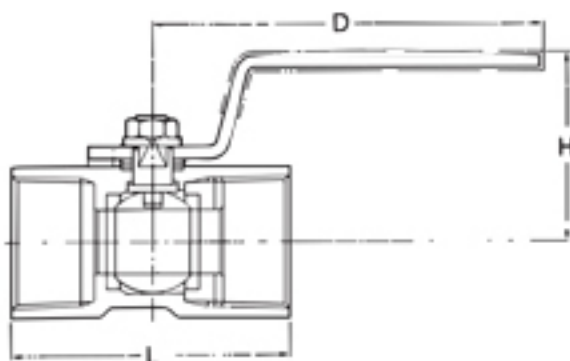
Shell 4.14 MPa (600 psi) (Hydrostatic)
Seat 0.55 MPa (80 psi) (Air)

Fig. TK



Type 600

One-piece body, Reinforced PTFE seats, Blowout-proof stem, Threaded ends to BS21 or NPT.



4.14 MPa (600 psi) W.O.G. non-shock
1.03 MPa (150 psi) W.O.G. 150°C

Materials

Parts	Material
Body	Brass
Stem	K-Metal [☆]
Ball	Brass (chrome plated)
Ball seat	Reinforced PTFE
Gland packing	Reinforced PTFE
Handle	Stainless steel (vinyl grip)

[☆] K-Metal is a special brass developed for anti-dezincification.

Test pressure:

Shell 6.20 MPa (900 psi) (Hydrostatic)
Seat 0.55 MPa (80 psi) (Air)

Dimensions

Valve size	inch	mm	1/8	1/4	3/8	1/2	3/4	1	1 1/4	1 1/2	2
Bore size			4.5	5	7	9.2	12.5	16	20	24.5	32
L	End to end		32	39	44	56.5	59	71	78	83	100
H	Height		31	31	36	41	44	48	54	65	72
D	Length of handle		60	60	70	85	85	100	100	125	125

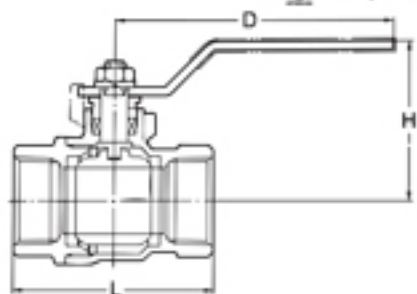
Fig. AKTAF



Type 600

Screwed body cap, Blowout-proof stem, PTFE seat, Threaded ends to NPT.

- Specifications : MSS-SP-110
 Approvals : American Gas Association, USA
 Canadian Gas Association, CANADA
 Underwriters Laboratories, USA
 Factory Mutual Engineering, USA



4.14 MPa (600 psi) W.O.G. non-shock
1.03 MPa (150 psi) W.S.P. saturated

Materials

Parts	Material
Body	Brass/bronze*
Cap	Brass/bronze*
Stem	K-Metal [☆]
Ball	Brass/bronze (chrome plated)
Ball seat	PTFE
Gland packing	PTFE
Handle	Carbon steel

[☆] K-Metal is a special brass developed for anti-dezincification.
* Bronze for 2 1/2" and larger.

Test pressure: Shell 6.20 MPa (900 psi) (Hydrostatic)
Seat 0.55 MPa (80 psi) (Air)

Dimensions

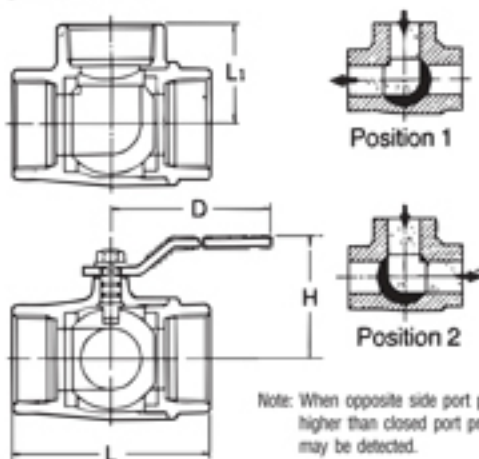
Valve size	inch	mm	1/4	3/8	1/2	3/4	1	1 1/4	1 1/2	2	2 1/2	3	4
L	Threaded end to end		41	42	53	60	72	82	92	105	135	156	192
H	Height		39	39	42	51	58	64	73	80	108	122	140
D	Length of handle		80	80	80	100	130	130	150	150	200	300	300

Fig. TN



TYPE 400

3-Way body, Screwed body cap, L-port ball, PTFE seats Blowout-proof stem, Threaded ends to BS21 or NPT, or solder joint ends.*



Note: When opposite side port pressure is higher than closed port pressure, a little leakage may be detected.

*** Caution**

Solder joint end valves should not be used in service where the temperature of the line fluid is higher than the softening point of solder.

Dimensions

Valve size	inch	mm	1/4	3/8	1/2	3/4	1	1 1/4	1 1/2	2	2 1/2	3
Bore size			4.5	6.8	10	15	20	25	32	40	50	65
L	Threaded end to end		40	46	67	68	79	89	100	115	138	166
L ₁	Center to end		20	23	33.5	34	39.5	44.5	50	57.5	69	83
L ₂	Solder end to end		-	-	56	74	88	99	114	136	-	-
H	Height		30	34	45	48	55	60	65	75	91	105
D	Length of handle		60	80	100	100	130	130	130	150	200	300
G			-	-	12.7	19.1	23.1	24.6	27.7	34.0	-	-

Materials

Parts	Material
Body	Brass/bronze*
Body cap	Brass
Stem	K-Metal [☆]
Ball	Brass (chrome plated)
Ball seat	PTFE
O-ring	FPM
Handle (1/2"-2") (2 1/2"-3")	Stainless steel (vinyl grip) Ductile iron

[☆] K-Metal is a special brass developed for anti-dezincification.
* Bronze for 2 1/2" and larger.

Test pressure:

Shell 4.14 MPa (600 psi) (Hydrostatic)
Seat 0.55 MPa (80 psi) (Air)