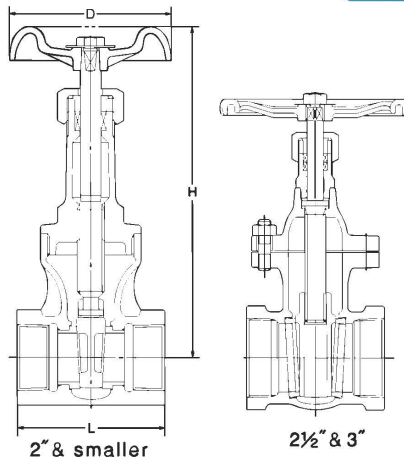


Fig. 10SM



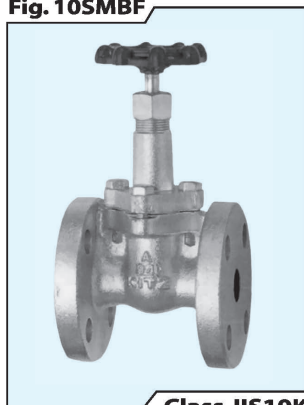
Class JIS 10K



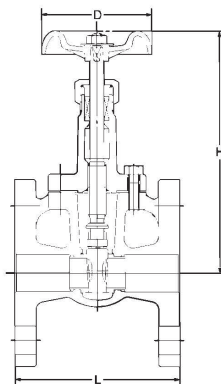
Dimensions

size	mm								
	mm inch	15 1/2	20 3/4	25 1	32 1 1/4	40 1 1/2	50 2	65 2 1/2	80 3
L		60	70	75	85	95	105	130	145
H (OPEN)		150	171	198	233	274	318	253	294
D		60	70	80	90	100	115	180	180

Fig. 10SMBF



Class JIS 10K



● Use for lubricating or hydraulic oil is acceptable. Contact KITZ Corporation for technical advice, if valves are used as heat transfer media.

Dimensions

size	mm						
	mm inch	15 1/2	20 3/4	25 1	32 1 1/4	40 1 1/2	50 2
L		90	100	110	120	130	140
H (OPEN)		164	165	188	219	253	285
D		70	70	80	90	100	115

120°C Static water..... 1.37MPa(14kgf/cm²)
220°C Steam, air,gas,oil..... 0.98MPa(10kgf/cm²)

- Use for lubricating or hydraulic oil is acceptable. Contact KITZ Corporation for technical advice, if valves are used as heat transfer media.
- Employment of copper disc prohibits use of this valve for ammonia or amine chemicals.

Test pressure

Body	2.06MPa (21kgf/cm ²) [hydrostatic]
Seat	1.51MPa (15.4kgf/cm ²) [hydrostatic]
	0.59MPa (6kgf/cm ²) [air]

Materials

Parts	JIS material
Body	FCD-S
Bonnet	FCD-S
Stem	SUS 403
Disc	CAC 406
Body seat ring	SUS 403(1/2" & 3" : SCS1)
Gland	SUS 403
Gland packing	Non asbestos
Packing nut	FCD 400
Handwheel	FCD 450(2 1/2" & 3" : FCD400)
Wheel nut	SS 400
Gasket	Non asbestos
Name plate	A1050P

120°C Static water..... 1.37MPa(14kgf/cm²)
220°C Steam, air,gas,oil..... 1.18MPa(12kgf/cm²)
300°C Steam, air,gas,oil..... 0.98MPa(10kgf/cm²)

Test pressure

Body	2.06MPa (21kgf/cm ²) [hydrostatic]
Seat	1.51MPa (15.4kgf/cm ²) [hydrostatic]
	0.59MPa (6kgf/cm ²) [air]

Materials

Parts	JIS material
Body	FCD-S
Bonnet	FCD-S
Stem	SUS 420J2
Disc	SCS1
Body seat ring	SUS 403
Gland	SUS 403(1/2" & 3/4" : SUS420J2)
Gland packing	Non asbestos
Handwheel	FCD 450
Bonnet bolt	S45C
Gasket	Non asbestos
Name plate	A1050P

Asbestos-free gaskets are optional.